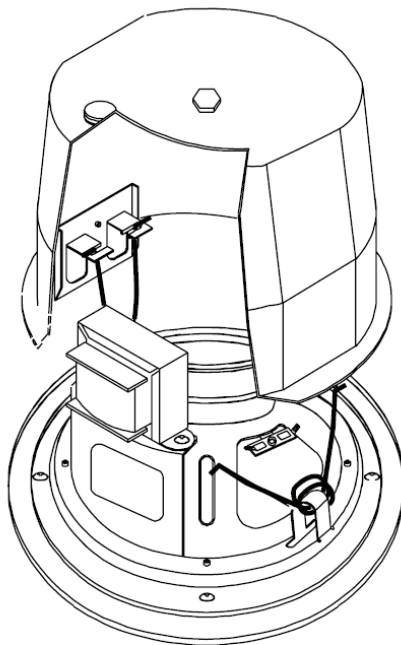


**Ceiling Speaker
CSF506**

AUDAC

PROFESSIONAL AUDIO EQUIPMENT

Fire Protected Ceiling Speaker CSF506



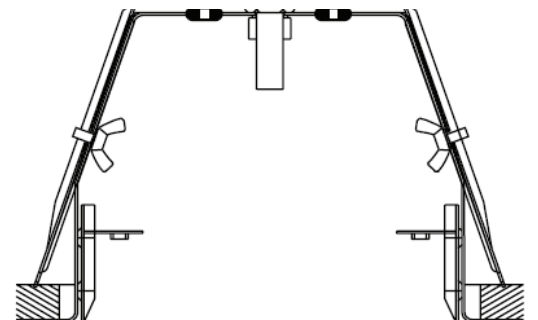
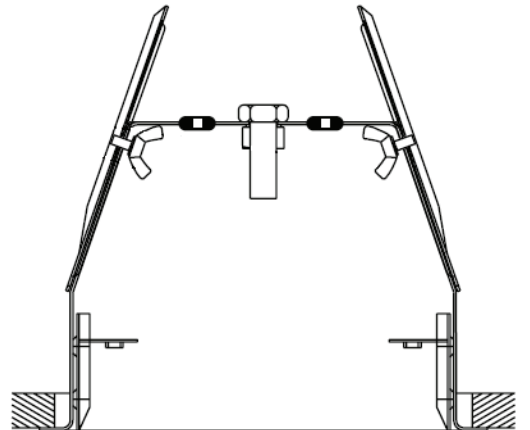
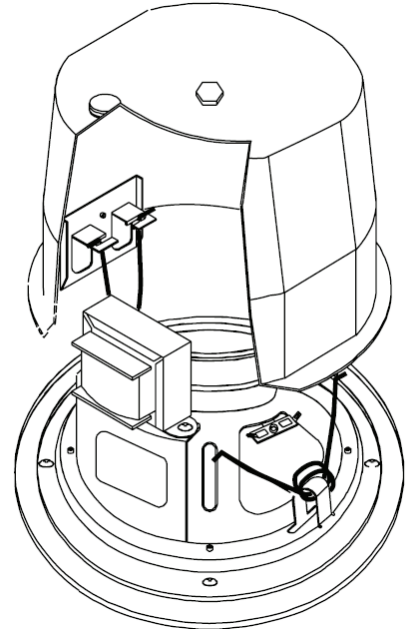
Installation Guide

Installation Procedure

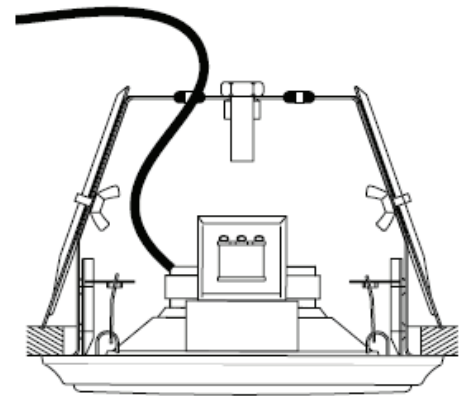
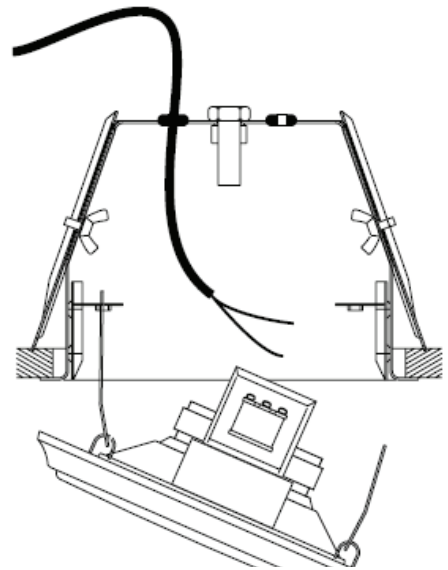
- 1) Cut a hole in the ceiling, on the desired mounting location of the loudspeaker, with a diameter of 160 mm.
- 2) Remove the loudspeaker out of the fire dome. The loudspeaker is fixed in the fire dome by means of two mounting springs. It can be removed by pulling the white front grill away from the fire dome. It will come out easily, without performing large forces.
- 3) After the loudspeaker comes out the fire dome, it still will be suspended by the two springs. Release the two springs by pressing them together. Now the speaker can be completely removed from the fire dome.
- 4) Take the fire dome, and release the two wing bolts on the inner side of the fire dome. Slide the two fixing plates upwards. This allows the fire dome to be pushed inside the ceiling hole. Before you push the fire dome through the mounting hole in the ceiling, make sure that the speaker connection cable is provided through the holes in the fire dome.

A mounting bolt is provided on top of the fire dome. This allows to connect a steel safety wire to the fire dome. This can be used for additional security purposes.

- 5) When the fire dome is pushed up inside the fixing hole, slide the two fixing plates down by means of the wing bolts. The ceiling will be clamped between the edge of the fire dome, and the fixing plates. After tightening the two wing bolts, the fire dome will be hold in place.



- 6) Suspend the loudspeaker on one side of the firedome. This can be done by pressing the mounting springs together and attach them to one of the side brackets on the inner side of the firedome.
- 7) Connect the loudspeaker connection cable to the provided ceramic connection block. Always connect the common to the COM connection terminal. And depending of the desired power, the positive amplifier output can be connected to the 6 Watt, or 3 Watt connection terminal.
- 8) When the connections are made, connect the second mounting clip to the speakers firedome. The loudspeaker will slide nicely into the firedome by applying only a small force on the speakers grill.



Specifications

Maximal Power	10 Watt
RMS Power	6 Watt
Line Voltage	100 V
Power taps	6 W / 1666 Ohm 3 W / 3333 Ohm
Impedance	8 Ohm
Frequency response -3db	90 Hz -18 kHz
Sound pressure W/1m	90 ± 3 dB
Dimensions	Ø 180 x 127mm
Mounting hole	Ø 160 mm
Weight (net)	1,3 kg
Drivers	5"
Construction	Steel
Package	Carton Box